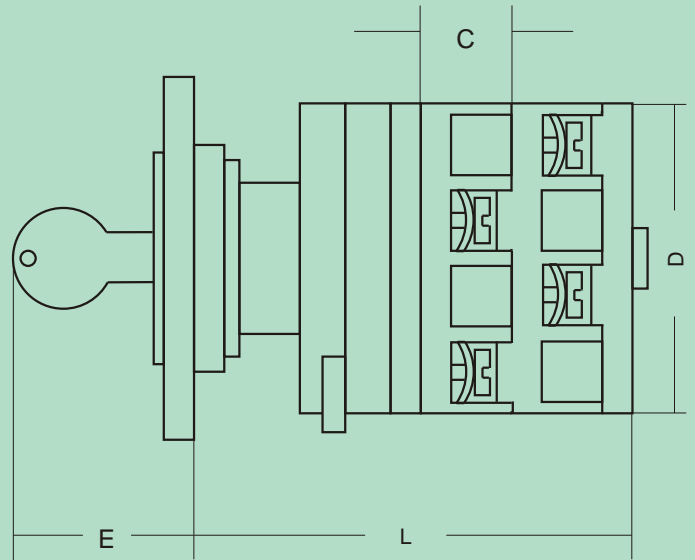
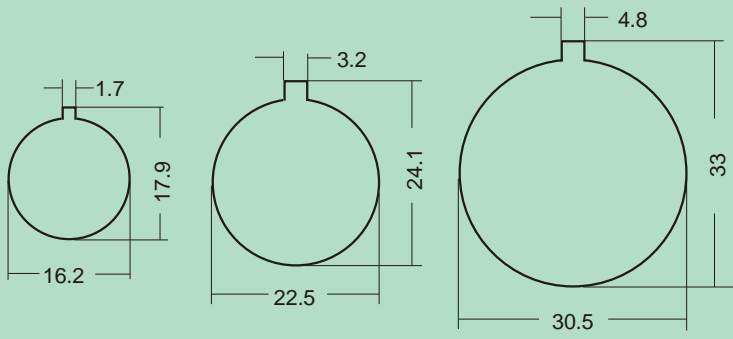
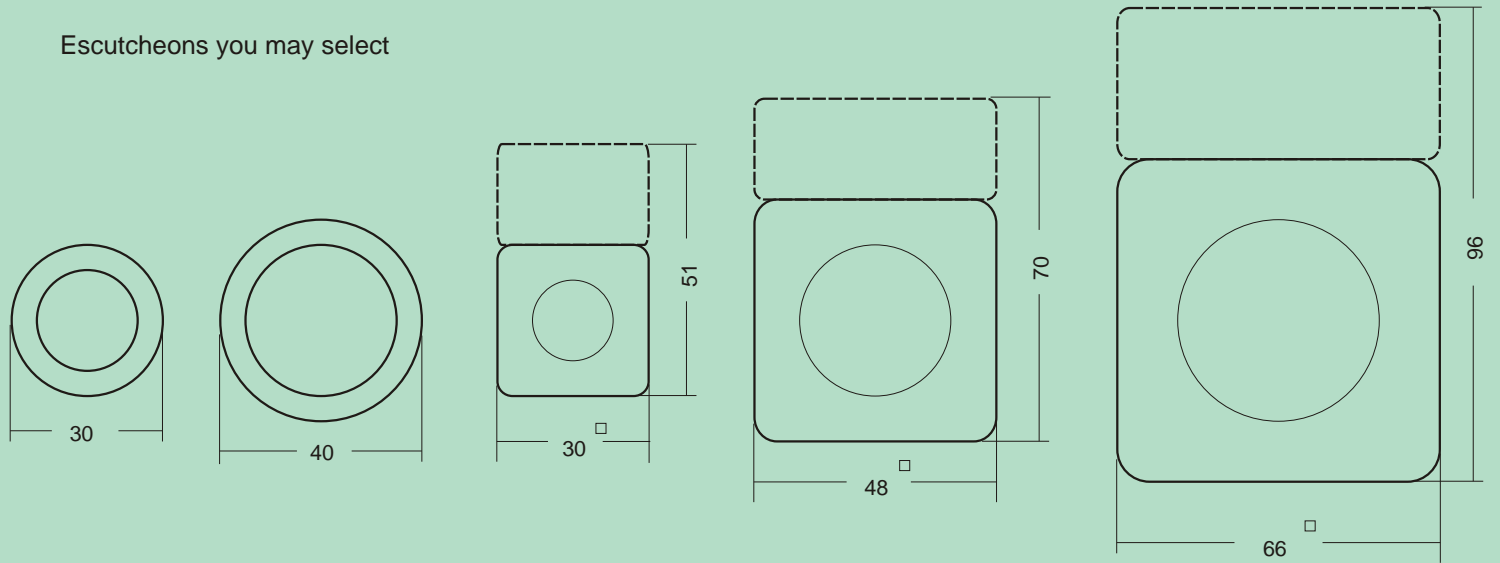


Key Operated Switches (Z32)

Mounting Holes



Escutcheons you may select



	Group	D00				D0				D1			
	Size	6	8	11	12	16	20	32	40	13	13	13	18
(L) per Number of Stages	C	12	12	12	12	13	13	13	18				
	D	27x28	39x41	41x46	43	56	56	56	56				
	E	25	29	29	29	29	29	29	29				
	1	50	62	62	62	64	64	64	72				
	2	62	74	74	74	77	77	77	89				
	3	74	86	86	86	90	90	90	105				
	4	86	98	98	98	103	103	103	123				
	5	95	110	110	110	116	116	116	140				
6	110	122	122	122	129	129	129	158					
7	122	134	134	134	142	142	142	176					
8	134	146	146	146	155	155	155	193					