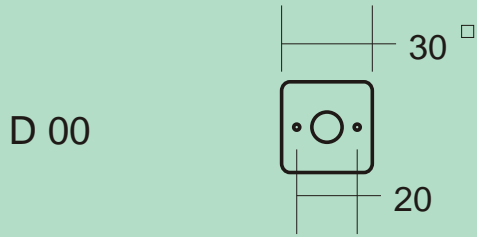
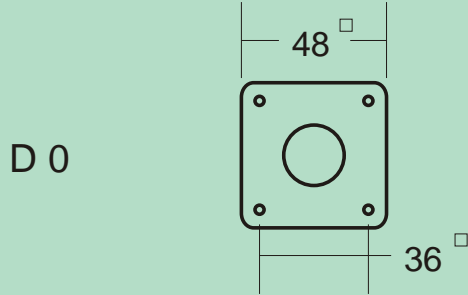


Design Groups

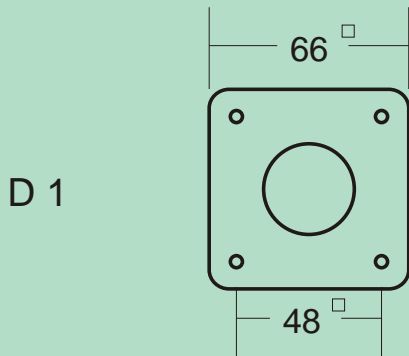
Size	Continuos $I_{n,open\ air}$ Amp	Non inductive AC 1/21 3x415V kW	Inductive AC 3/23 3x415V kW	Cable Cross section mm ²
------	---------------------------------------	---------------------------------------	-----------------------------------	-------------------------------------------



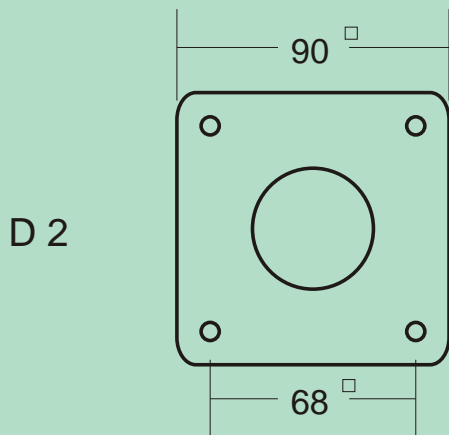
4	10	3.5	2.2	1.5
6	10	3.5	2.2	1.5



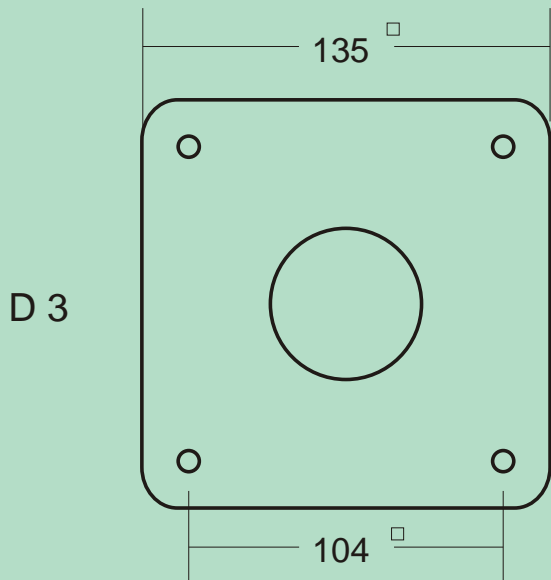
8	25	7	4	4
11	25	7	4	4
12	20	6	4	4



16	25	10.0	7.5	6
20	32	10.5	9.0	6
32	40	15.0	11.0	6
40	63	25.0	15.0	10



50	70	32.0	18.0	10
63	100	40.0	22.0	16
100	125	63.0	27.0	70
160	160	40.0	37.0	70



125	130	79.0	38.0	130
250	315	158.0	64.0	315